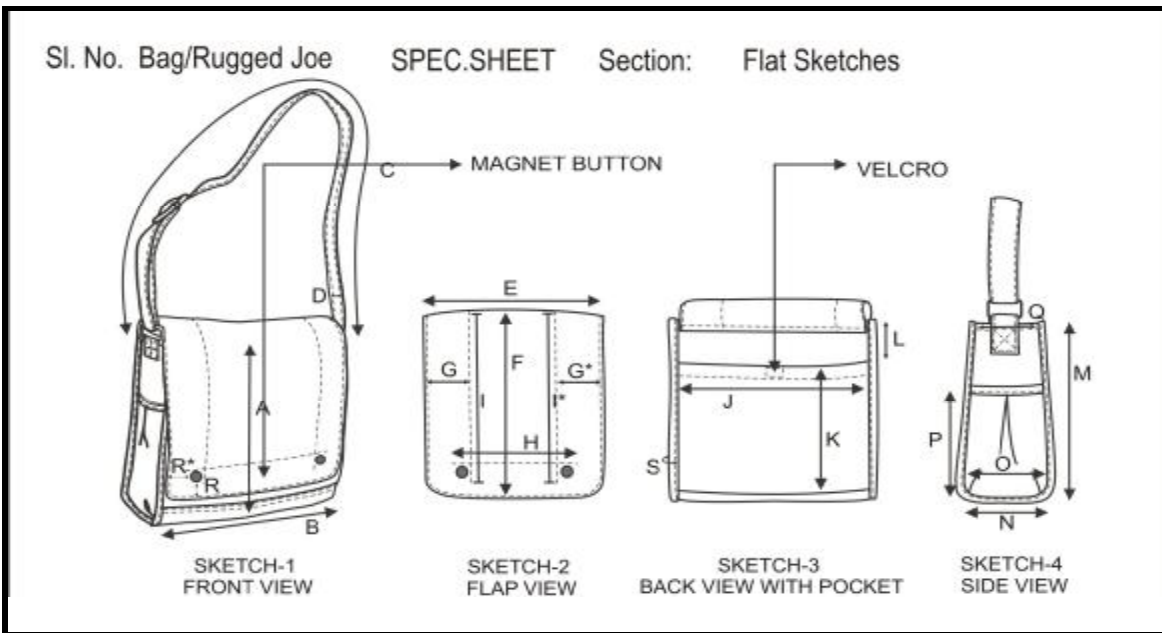


Style # Rugged Joe

Description of part	Part No.	Measurement (inches)	Tolerance
Length of the bag without flap	A	13	(+/- 3/8 inches)
Width of the bag	B	13 3/4	(+/- 3/8 inches)
Length of the handle	C	44	(+/- 3/8 inches)
Width of the handle	D	1.5	(+/- 3/8 inches)
Width of the flap	E	13 3/8	(+/- 3/8 inches)
Length of the flap	F	15	(+/- 3/8 inches)
Distance between the side edge & stitch line	G & G*	2 3/4 & 2 3/4*	(+/- 3/8 inches)
Width of the stitch line	H	10	(+/- 3/8 inches)
Length of the stitch line from the top	I & I*	13 1/4 & 13 1/4	(+/- 3/8 inches)
Width of the back pocket	J	13 1/2	(+/- 3/8 inches)
Length of the back pocket	K	10 5/8	(+/- 3/8 inches)
Distance between the top edge & pocket opening	L	1 3/4	(+/- 3/8 inches)
Length of the side gusset	M	13 3/8	(+/- 3/8 inches)
Width of the side gusset	N	5 1/4	(+/- 3/8 inches)
Width of the side gusset pocket	O	7 1/4	(+/- 3/8 inches)
Length of the side gusset pocket	P	8 1/4	(+/- 3/8 inches)
Width of the side gusset from the top	Q	3 1/4	(+/- 3/8 inches)
Placement of button From side & botom edge	R	2 1/8 & 2 1/8	(+/- 3/8 inches)
Width of the side binding	S	3/8	(+/- 3/8 inches)



Style # Terry Bag

Description of part	Part No.	Measurement (inches)	Tolerance
Length of the bag	A	13 3/4	(+/- 3/8 inches)
Width of the bag	B	15 3/4	(+/- 3/8 inches)
Width of the side gusset	C	6 5/8	(+/- 3/8 inches)
Length of the handle	D	22 3/4	(+/- 3/8 inches)
Rounded Width of the handle	E	2	(+/- 3/8 inches)
Distance between the handles	F	5 1/2	(+/- 3/8 inches)
Distance between the handle & side edge of the bag	G	3 1/2	(+/- 3/8 inches)
Width of the inside top fold	H	1	(+/- 3/8 inches)
Length of the side gusset	I	13 3/4	(+/- 3/8 inches)

